



## DentaDrive X.0

### Pneumatic direct change

Item no. **16302005**

HF-Spindle for high-speed milling, -grinding, -drilling, -engraving

#### Bearings

Hybrid ball bearing (pcs)	3
Lifetime lubricated	maintenance free

#### Motor

Motor technology	3-phase asynchronous drive (no brushes or sensors)
Frequency	1.667 Hz
Motor poles (pairs)	1
Rated rotation speed	100.000 rpm
Acceleration/braking value Per second	10 000 rpm (other values by consultation)

#### Power values

##### Spindle holder cooled

	Pmax./5s	S6-60%	S1-100%	
Rated power	0,75	0,65	0,51	[kW]
Torque	0,12	0,103	0,09	[Nm]
Voltage	71	71	63	[V]
Current	13,6	11,8	10,7	[A]

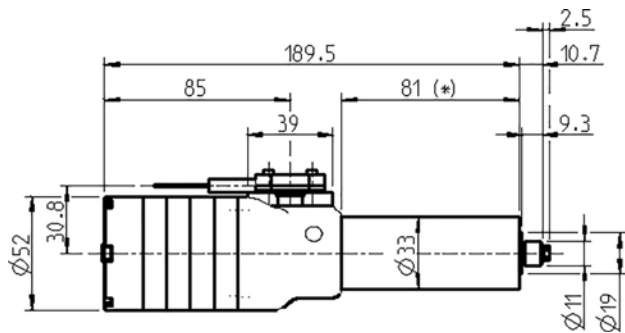
#### Power values

##### Compressed air cooled

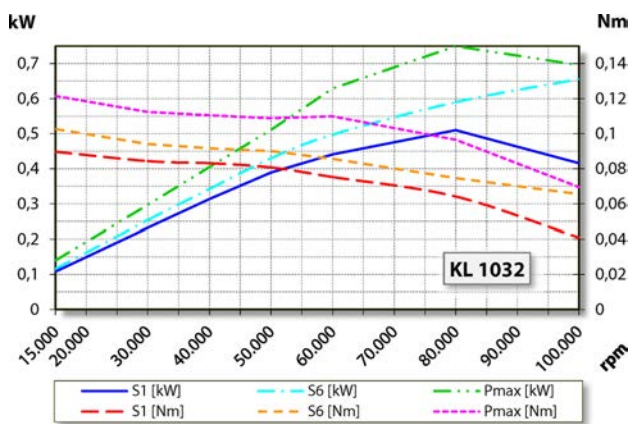
	Pmax./5s	S6-60%	S1-100%	
Rated power	0,4	0,32	0,23	[kW]
Torque	0,121	0,077	0,066	[Nm]
Voltage	36	36	36	[V]
Current	13,6	10	9	[A]

**DentaDrive X.0**

Pneumatic direct change  
Item no. **16302005**



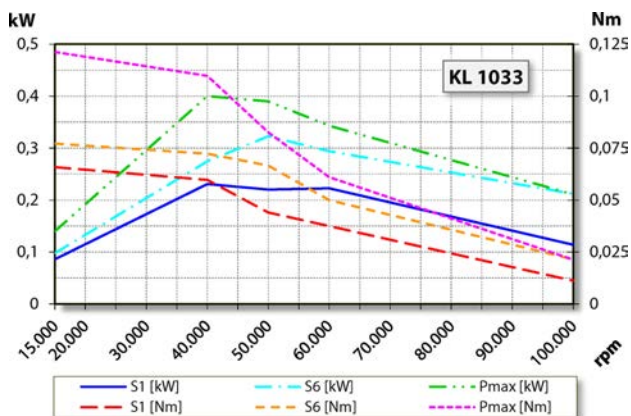
Dimensions



Performance Diagram

Spindle holder cooled

Measurement of power is funded by in-house testing.



Performance Diagram

Compressed air cooled

Measurement of power is funded by in-house testing.

**Characteristics**

Housing	Stainless steel/ aluminium
Housing diameter	33 mm
Cooling	Compressed air cooled
Heat dissipation	Via the housing
Housing temperature	< + 60° C
Ambient temperature	+ 10°C ... + 45°C
Sealing air	
Protection category (sealing air turned on)	IP54
Blow air through collet during tool change	
ESD protection	
Tool change	Pneumatic direct change
Collet type	5,1P-5° Optional accessories
Clamping range up to	4 mm
Clockwise	
Connection	Cable length 1,5 m
Weight	~ 0,8 kg
Inner taper run out	< 1 μ