



DentaDrive 120V S21

Electric Direct Tool Change

Item no. **153IG321**

HF-Spindle for high-speed milling, -grinding, -drilling, -engraving

Bearings

Hybrid ball bearing (pcs)	2
Lifetime lubricated	maintenance free

Motor

Motor technology	3-phase asynchronous drive (no brushes or sensors)
Frequency	2.000 Hz
Motor poles (pairs)	1
Rated rotation speed	120.000 rpm
Acceleration/braking value Per second	10 000 rpm (other values by consultation)

Power values

Compressed air cooled

	Pmax./5s	S6-60%	S1-100%	
Rated power	0,25	0,24	0,2	[kW]
Torque	0,039	0,038	0,033	[Nm]
Voltage	32	32	32	[V]
Current	8,2	7,7	6,9	[A]

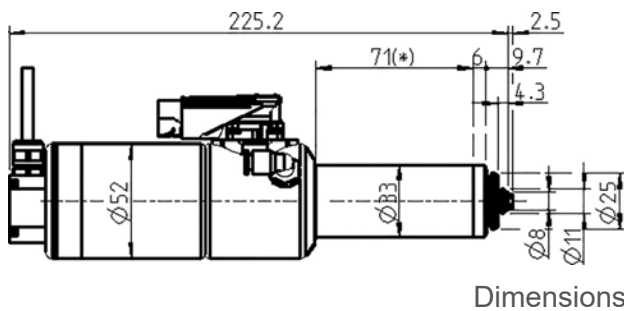
Power values

Spindle holder cooled

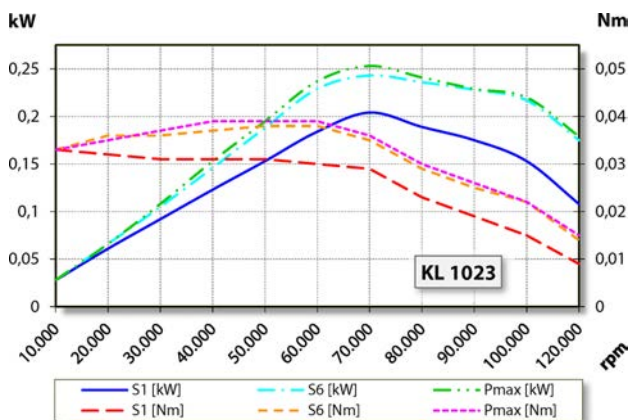
	Pmax./5s	S6-60%	S1-100%	
Rated power	0,32	0,31	0,3	[kW]
Torque	0,065	0,063	0,061	[Nm]
Voltage	34	34	34	[V]
Current	10	9,8	9,5	[A]

DentaDrive 120V S21

Electric Direct Tool Change
Item no. 153IG321



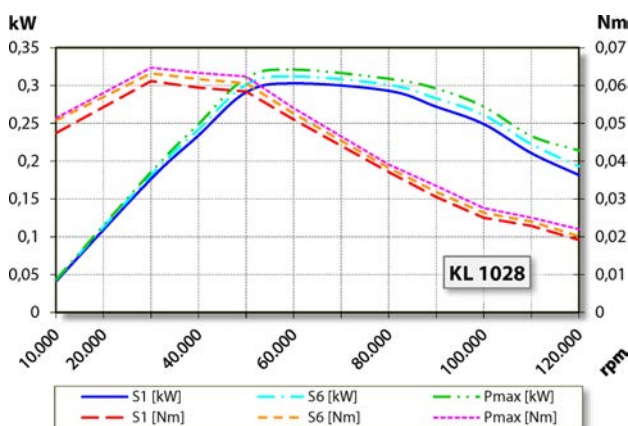
Dimensions



Performance Diagram

Compressed air cooled

Measurement of power is funded by in-house testing.



Performance Diagram

Spindle holder cooled

Characteristics

Motor protection	PTC 100°C or Pt1000 Optional accessory
Housing	Stainless steel
Housing diameter	33 mm
Cooling	Compressed air cooled
Heat dissipation	Via the spindle holder
Housing temperature	< + 45° C
Ambient temperature	+ 10°C ... + 45°C
Sealing air	
Protection category (sealing air turned on)	IP54
Taper cleaning	Optional accessories
ESD protection	Optional accessories
Tool change	Electric Direct Tool Change
Collet type	5,1P-5° Optional accessories
Clamping range up to	3.5 mm (1/8")
Clockwise	
Coupler plug	9-pin (I-TEC)
Weight	~ 0,9 kg
Inner taper run out	< 1 μ