



Chopper 1500-F D S5A

Pneumatic direct change

Item no. **11303003**

HF-Spindle for high-speed milling, -grinding, -drilling, -engraving

Bearings

| | |
|--------------------------|------------------|
| Steel ball bearing (pcs) | 2 |
| Lifetime lubricated | maintenance free |

Motor

| | |
|--|---|
| Motor technology | 3-phase asynchronous drive (no brushes or sensors) |
| Frequency | 500 Hz |
| Motor poles (pairs) | 1 |
| Rated rotation speed | 30.000 rpm |
| Acceleration/braking value Per second | 10 000 rpm (other values by consultation) |

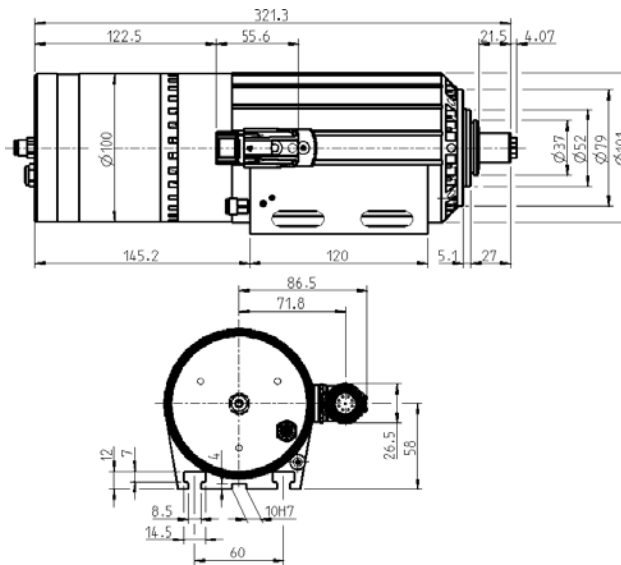
Power values

Fan cooled

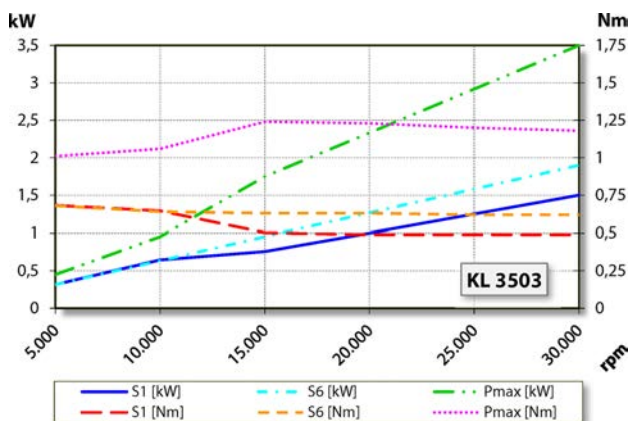
| | Pmax./5s | S6-60% | S1-100% | |
|-------------|----------|--------|---------|------|
| Rated power | 3,5 | 1,9 | 1,5 | [kW] |
| Torque | 1,24 | 0,68 | 0,682 | [Nm] |
| Voltage | 200 | 200 | 200 | [V] |
| Current | 14 | 7 | 7 | [A] |

Chopper 1500-F D S5A

Pneumatic direct change
Item no. **11303003**



Dimensions



Performance Diagram

Fan cooled

Measurement of power is funded by in-house testing.

Characteristics

| | |
|--|---------------------------------|
| Motor protection | PTC 130°C |
| Housing | Aluminium |
| Housing diameter | 100 mm |
| T-slots | DIN 650-8 |
| Spindle holder integrated | |
| Cooling | Fan-cooled (3 electric fans) |
| Air-borne noise emissions | < 65 dB(A) |
| Heat dissipation | Via the housing |
| Housing temperature | < + 55° C |
| Ambient temperature | + 10°C ... + 45°C |
| Sealing air | |
| Protection category (sealing air turned on) | IP54 |
| ESD protection | |
| Tool change | Pneumatic direct change |
| Collet type | 10/5° |
| Clamping range up to | 8 mm |
| Clockwise | |
| Coupler plug | 9-pin (SpeedTEC) |
| Weight | ~ 7 kg |
| Inner taper run out | < 2 μ |