



## Chopper 1500-F H S5A

### Manual tool change

Item no. **11203006**

HF-Spindle for high-speed milling, -grinding, -drilling, -engraving

### Bearings

Steel ball bearing (pcs)	2
Lifetime lubricated	maintenance free

### Motor

Motor technology	3-phase asynchronous drive (no brushes or sensors)
Frequency	500 Hz
Motor poles (pairs)	1
Rated rotation speed	30.000 rpm
Acceleration/braking value Per second	10 000 rpm (other values by consultation)

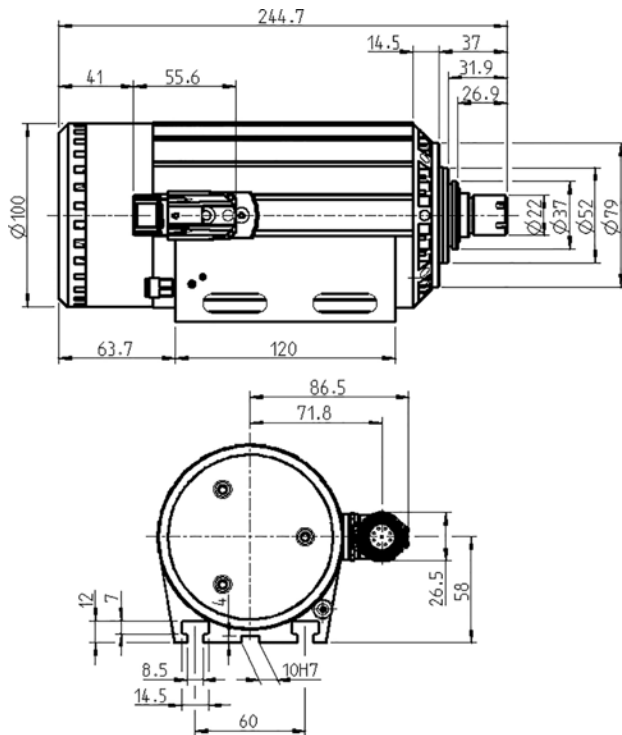
### Power values

Fan cooled

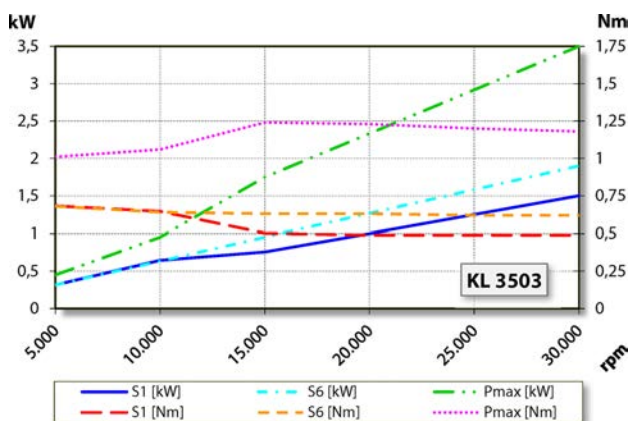
	Pmax./5s	S6-60%	S1-100%	
Rated power	3,5	1,9	1,5	[kW]
Torque	1,24	0,68	0,682	[Nm]
Voltage	200	200	200	[V]
Current	14	7	7	[A]

## Chopper 1500-F H S5A

Manual tool change  
Item no. **11203006**



Dimensions



Performance Diagram

Fan cooled

Measurement of power is funded by in-house testing.

## Characteristics

Motor protection	PTC 130°C
Housing	Aluminium
Housing diameter	100 mm
T-slots	DIN 650-8
Spindle holder integrated	
Cooling	Fan-cooled (3 electric fans)
Air-borne noise emissions	< 65 dB(A)
Heat dissipation	Via the housing
Housing temperature	< + 55° C
Ambient temperature	+ 10°C ... + 45°C
Sealing air	
Protection category (sealing air turned on)	IP54
ESD protection	
Tool change	Manual tool change
Collet type	ER 16
	Optional accessories
Clamping range up to	10 mm (25/64" )
Clockwise	
Coupler plug	9-pin (SpeedTEC)
Weight	~ 6 kg
Inner taper run out	< 2 µ