



## B150-H626.01 K3W2

### Pneumatic taper change

Item no. **10406100**

HF-Spindle for high-speed milling, -grinding, -drilling, -engraving

### Bearings

Hybrid ball bearing (pcs)	4
Lifetime lubricated	maintenance free

### Motor

Motor technology	3-phase asynchronous drive (no brushes or sensors)
Frequency	867 Hz
Motor poles (pairs)	2
Rated rotation speed	26.000 rpm
Acceleration/braking value Per second	10 000 rpm (other values by consultation)

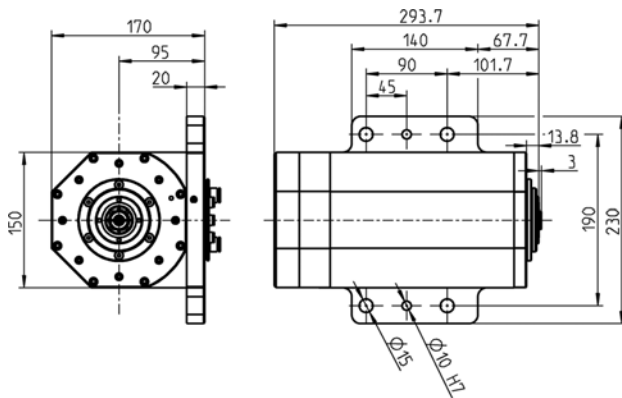
### Power values

#### Liquid cooled

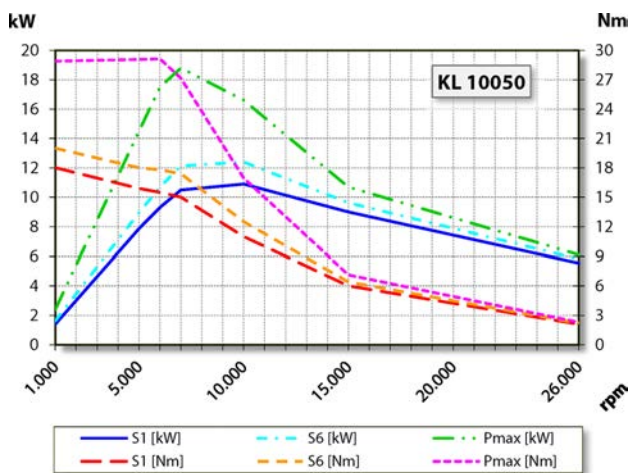
	Pmax./5s	S6-60%	S1-100%	
Rated power	18,8	12,4	10,9	[kW]
Torque	29,1	20	18	[Nm]
Voltage	380	380	380	[V]
Current	42	30,2	27,5	[A]

**B150-H626.01 K3W2**

Pneumatic taper change  
Item no. **10406100**



Dimensions



Performance Diagram

Liquid cooled

Measurement of power is funded by in-house testing.

**Characteristics**

Speed sensor	Vector control Optional accessories
Toothed wheel	Teeth = 128 Module = 0,3 Optional accessories
Motor protection	PTC 130°C Pt1000
Housing	Aluminium
Flange area	230 mm x 140 mm
Cooling	Liquid cooled
Ambient temperature	+ 10°C ... + 45°C
Sealing air	
Protection category (sealing air turned on)	IP54
Taper cleaning	
Vibration sensor	Optional accessories
Tool change	Pneumatic taper change
Tool Holder	HSK-E 40
Tool change monitoring	inductive
1 position	clamped
Clamping range up to	16 mm
Clockwise and anticlockwise	
Connection	Cable length 3 m (motor phases)  Cable length 3 m (sensors)
Weight	~ 28 kg
Inner taper run out	< 1 $\mu$
Axial run-out	< 1 $\mu$